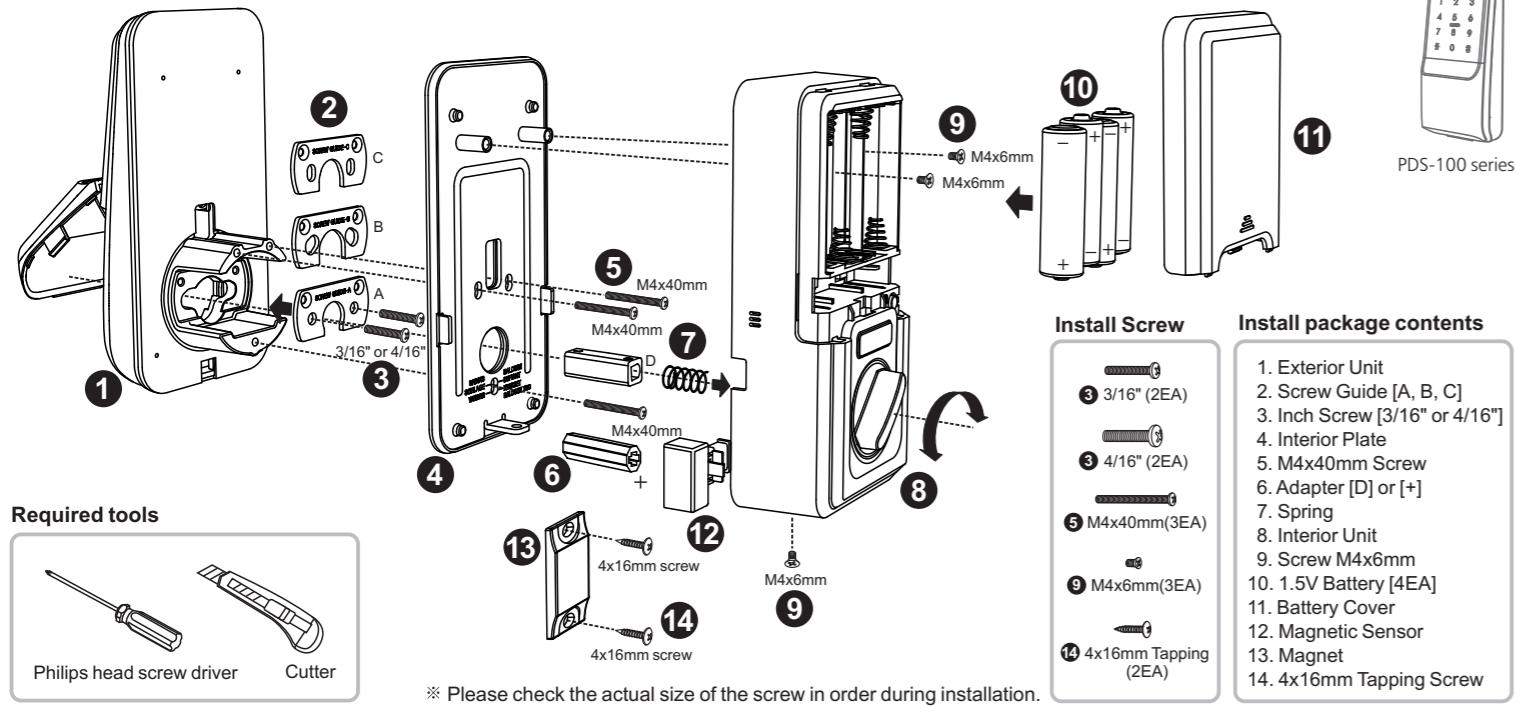


Installation Deployment



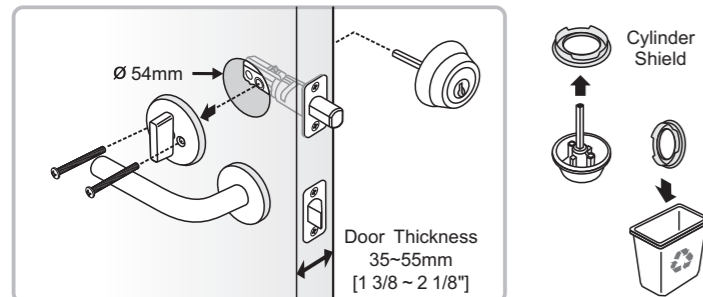
1 STEP 1

※ Make sure that the existing Deadbolt is compatible with PDS-100.



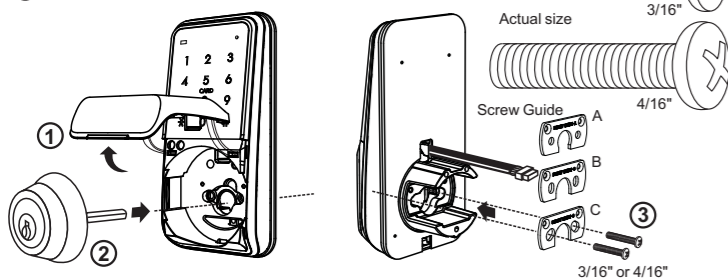
2 STEP 2

Remove the installed key cylinder.
[Do not remove the original deadbolt]
※ Remove the Cylinder Shield from the key cylinder



3 STEP 3

- Open the key cover of the exterior unit. [Do not remove the internal sponge]
- Insert the disassembled cylinder into the exterior unit.
- Place the screw guide on the back of exterior unit and fix it with two screws (3/16" or 4/16") that fit the cylinder.
- Turn the original key to confirm it works well.



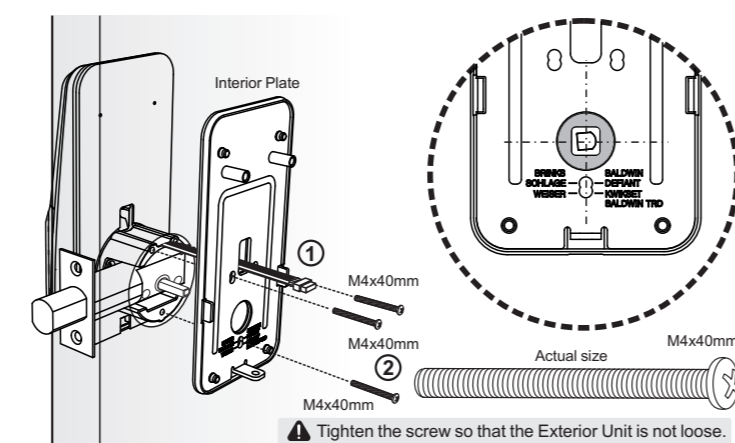
Chart

| BRAND | MODEL | SCREW GUIDE | ADAPTER | INCH SCREW |
|---------|----------------|-------------|---------|--------------|
| kwikset | 660, 690 | A | D | 3/16" (25mm) |
| Weiser | Elements | A | D | 3/16" (25mm) |
| Kwikset | 980 Series | B | D | 4/16" (25mm) |
| Schlage | 660P, 60N V505 | B | + | 4/16" (25mm) |
| Schlage | D39, 18687 | C | + | 3/16" (25mm) |
| Baldwin | SC TRD 003 | B | D | 4/16" (25mm) |
| Brinks | 2717, 2719 | C | + | 3/16" (25mm) |
| Defiant | SKU890, 154660 | C | + | 3/16" (25mm) |

Please note that the above model is based on the model released as of July, 2017, and the model that can be installed afterwards is updated on the website.

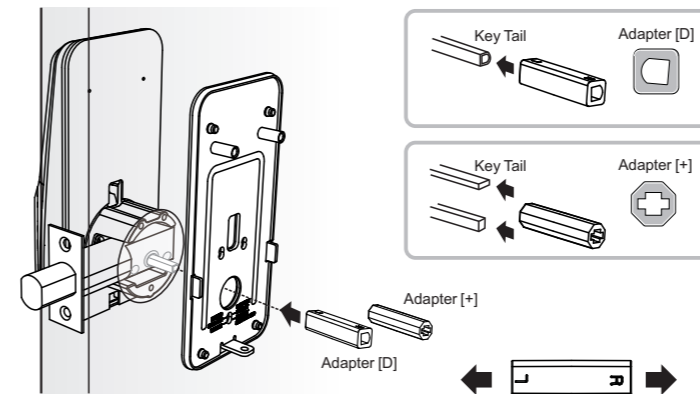
4 STEP 4

- Pass the cable through the square hole in the center of the Interior Plate.
- Align the Interior Plate that the key tail is at the center of the hole and fix it with 3 pcs of M4x40mm screws. [Please refer to the manufacturer marked on the Interior Plate] At this time, the Exterior Unit and the Interior Plate should not be tilted.



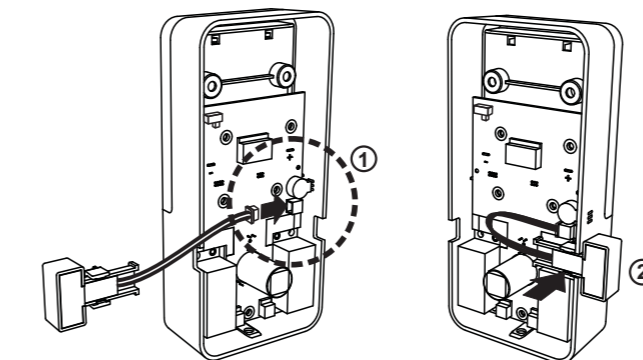
5 STEP 5

Place the adapter for the key tail in the correct direction.
[Please refer to the Step 3 Chart]

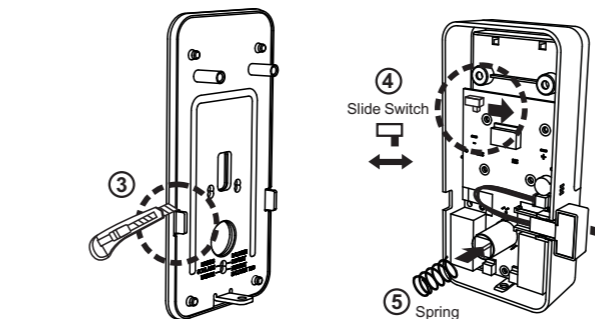


6 STEP 6

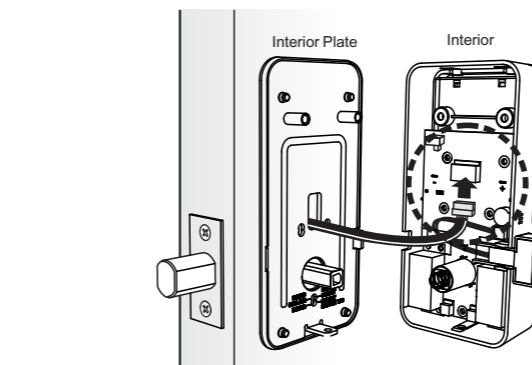
- Connect the Magnet Sensor cable firmly to match the direction of the Magnet.
- The Magnet Sensor is put with the hook in the fixed position of the Interior Unit. [Place it in the direction of the door frame.]



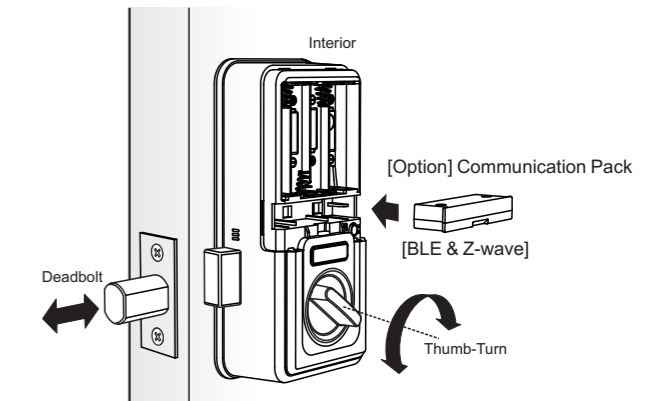
- Cut the part of the Interior Plate Rubber with cutter on which the sensor is to be seated.
- Set the Slide Switch on the inside of the Interior Unit to the Magnetic Sensor direction.
- Insert the Spring. [Be careful not to let the spring come off during installation.]



- Connect the cable firmly to the Interior Unit connector.

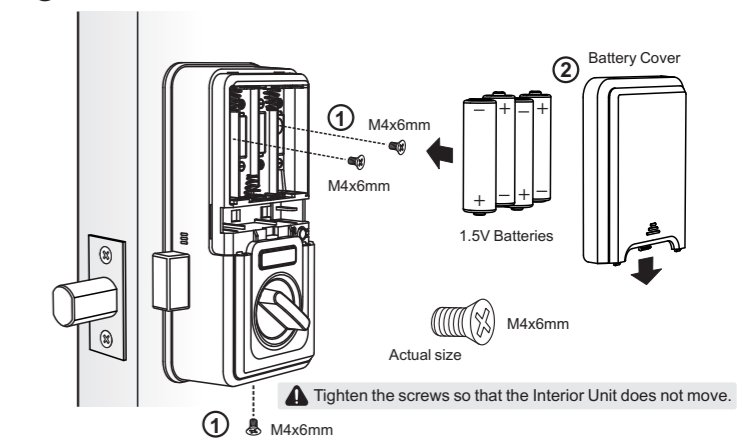


- Make sure that the cable is not caught, and place the Interior Plate and the Interior Unit to the Thumb-Turn and the Adaptor direction. When attaching the Adapter, make sure it is horizontal, and check if the deadbolt moves smoothly by rotating the Thumb-Turn.



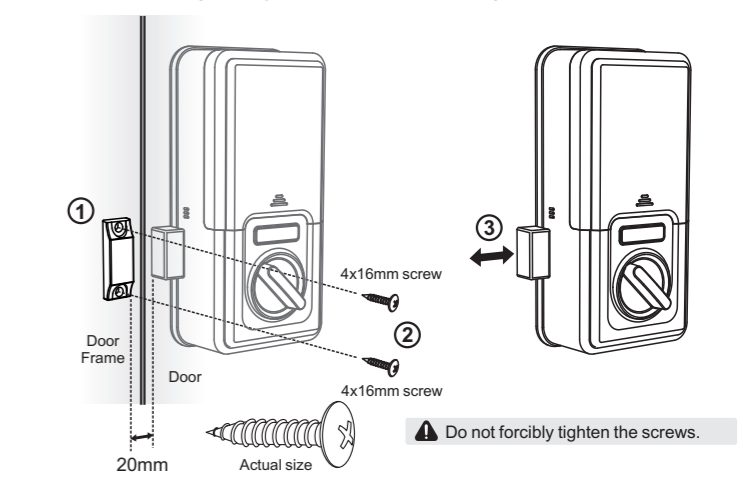
7 STEP 7

- Fix the Interior Unit and Interior Plate with 3 pcs of M4x6mm screws. [If you see a cable in the hole to be fixed, rearrange the cable again.]
- Insert the battery and close the Battery Cover.



8 STEP 8

- Close the door and install the Magnet from the inside of the door frame.
- Fix the Magnet with 2 pcs of 4x16mm tapping screws.
- Pull or push the Magnetic Sensor of the Interior Unit to adjust the gap with the magnet. After completing the adjustment, remove the fixing tape cover.



※ The operating distance of the Magnetic Sensor is within 3/4" (20mm). Make sure that the Magnetic Sensor and the Magnet do not touch when the door closes.

※ Before closing the door, register a master passcode. Check manual for instructions. [If the deadbolt does not work properly, check Step 4 in the manual.]

※ If you run into any problems after installation, thoroughly review the installation manual or contact your local locksmith.

※ When the installation is complete, two extra screws(3/16" & 4/16") will be remained.